

Part number



MHV 24 LG32



Brief description:

Hoods with single lever, size "104.27", top entry, M32, metal version, IP66

Product description	
Version	metal version
Series	Hoods with single lever
Product type	with 1 lever
Variant	top entry
Family	CLASS enclosures
Size	size "104.27"
Technical data	
Material	metal
IP degree of protection	IP66 (and IP69K DIN 40050 - 9)
Cable entry	M32
Further technical details	
Weight	289,00 g

Approvals / Standards	
Quality mark	 (type:4/4X/12),  , EAC
Conformity	CQC, CE
General ordering information	
EAN13 code	8015747056069
Tariff number	85369095
Packaging Information	
Packaging length	240,00 mm
Packaging height	150,00 mm
Packaging width	195,00 mm
Packaging weight	2,89 kg
Packaging volume	7,02 dm ³
Packaging description	Carton box
Packaging quantity	10 Pcs
Packaging EAN code	8015747098496
Sub-packaging weight	1,45 kg
Sub-packaging description	Plastic packaging
Sub-packaging quantity	5 Pcs
Sub-packaging EAN barcode	8015747098502

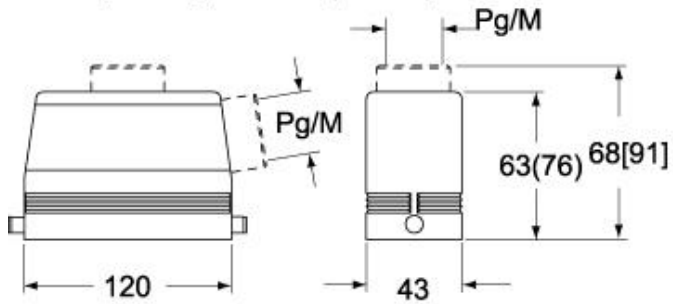
Part number

MHV 24 LG32



Catalogue drawings

CHO L (CAO L) - MHO L [MAO L]
CHV L [CAV L] - MHV L (MAV L)



CHV LG (CAV LG), MHV LG (MAV LG) [MFV LG]

